

Enervent Pingvin XL

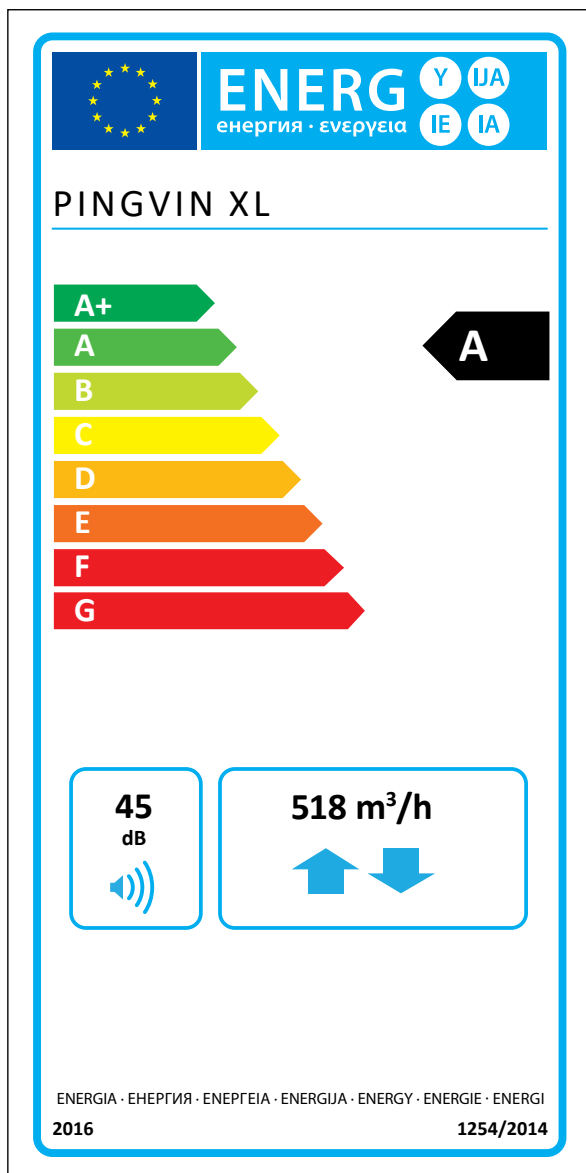
COMPREHENSIVE TECHNICAL DETAILS



enervent

Enervent Pingvin XL

The Enervent Pingvin XL unit is best suited for medium-sized detached houses or apartments. It is also well suited for public spaces, where a smallish air amount is required. The unit is low in comparison with its capacity, which enables installation in tight spaces, i.e. over the hot water tank in the technical space.



The information on the energy label for this product has been defined with local demand control. Local demand control means that the ventilation unit continuously regulates the fan speed(s) and flow rates based on more than one sensor. Please remember to connect all local sensors (some sold as extra equipment) in order to achieve the declared energy class.

Technical details

General information

Reference flow rate according to EcoDesign directive (50 Pa)	340 m ³ /h
Air volume flow	50...504 m ³ /h
Pressure difference	15 to 125 Pa
Leakage	external < 5% (test pressure 300Pa) internal < 5%
Duct size	Ø 160 mm
Weight	63 kg
Standard filters, 2 x cassette filter	F7/M5
Filter dimensions (WxHxD)	484 x 216 x 58 mm
IP class	IP44 (external control IP20)
Condense connection	¼" internal thread
Nominal voltage	230 V
Nominal current	Motors 2,6 A total Electrical after heating 3,48 A

Fans

Supply and exhaust air fan type	Ebm-Papst
Supply and exhaust air motor type	G3G146-HK07-11
Nominal voltage	230 V (AC), EC-type with external electronics
Type of fan blade	Radial forward
Nominal power	163 W
Acoustical data	65 dB(A) DIN 45635-1 ISO 3745
Fan control eWind control	4 situations (away, home, boost, timer controlled boost). In each situation both fans can be fine adjusted separately.
Fan control eAir control	Stepless (supply and exhaust running separately)

Heat exchanger

Heat exchanger type	Rotating heat exchanger
Material	Aluminium
Heat exchanger surface	87 m ²
Heat exchanger dimensions	420 x 200 mm (60 µ)
Heat exchanger motor	5 W
Ventilation unit annual temperature efficiency (EN 13141-7:2010)	78 %
Supply air annual heat recovery efficiency* (EN 16798-3:2017)	91,6 %
Extract air annual heat recovery efficiency* (D5:2012)	77,8 %

* supply air +18°C, extract air +21°C, exhaust air temperature limit -7°C

Other information

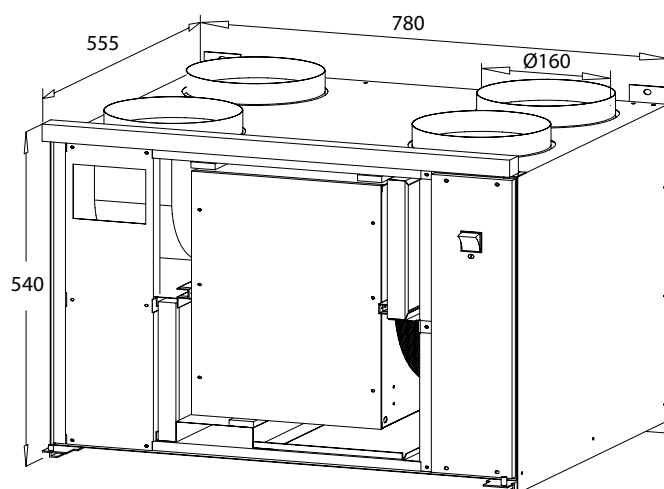
Material inside cover	Steel sheet, zinc coated
Material outside cover	Steel sheet, zinc coated, powder painted
Standard electric after heater efficiency	800 W
Positioning of the water-circulating after heater	in duct
Duct heater measurements (WxHxL), mm	313x255x356

Sound levels

	L _w	L _{wA}
Supply air duct	76,4 dB	68,2 dB(A)
Extract air duct	66,7 dB	56,1 dB(A)
Outdoor air duct	68,3 dB	56,3 dB(A)
Exhaust air duct	75,2 dB	66,9 dB(A)
Through casing	54,6 dB	45,3 dB(A)
-> 10 m ² absorption L _{pA}	41,3 dB(A)	

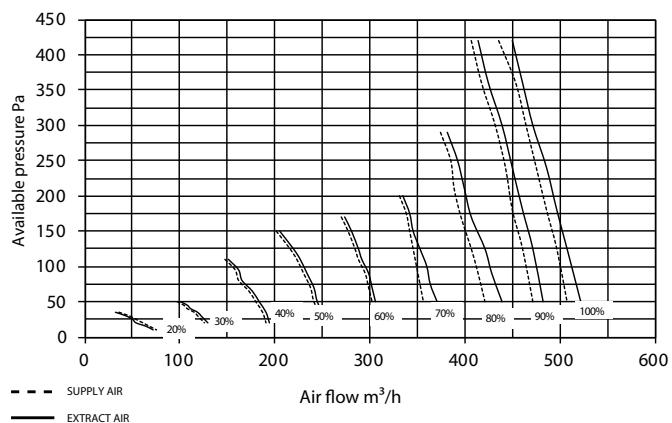


Dimension drawings

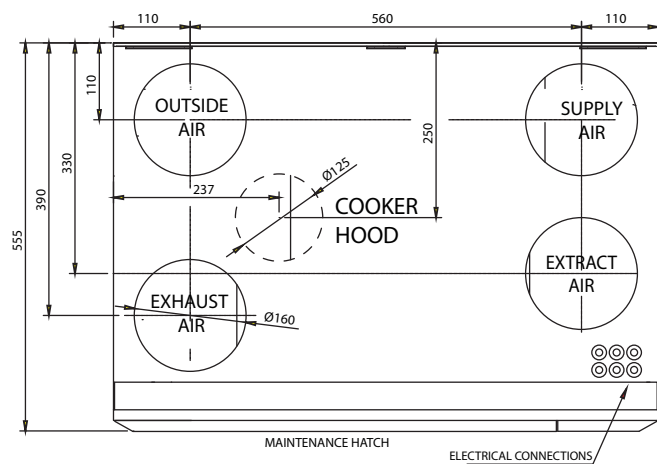


Characteristics

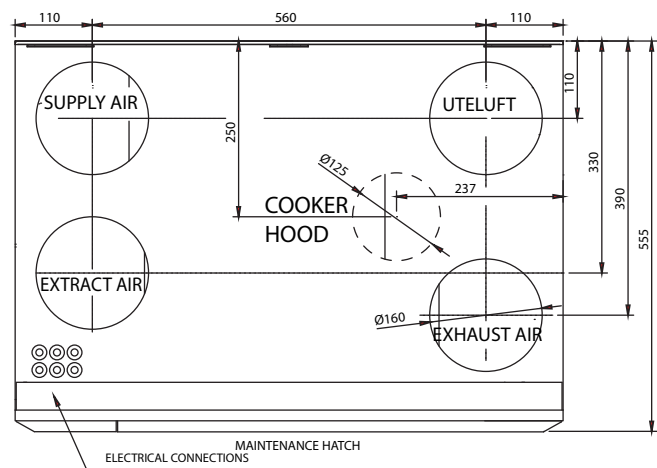
Pingvin XL supply and extract air characteristic curves with M5/M5 filters



RIGHT HANDED



LEFT HANDED



Installation

Mounting	Wall	X	Ceiling	X
Frame alternatives	Right	X	Left	X

Enervent Zehnder Oy
Kipinätie 1
FI-06150 Porvoo, Finland
Tel: +358 207 528 800
enervent@enervent.com
www.enervent.com

enervent